

»multifix« series

Rotary switch can be turned 90°, lockable, with relief port.

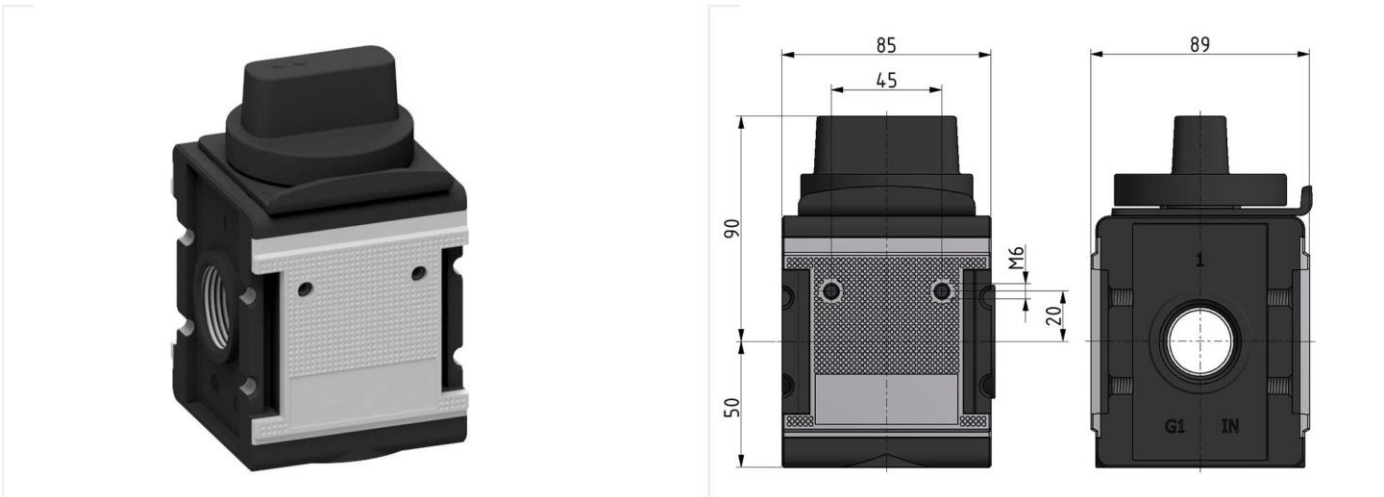
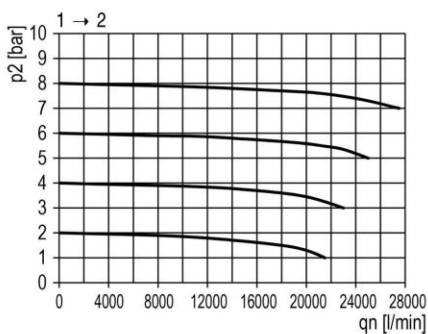
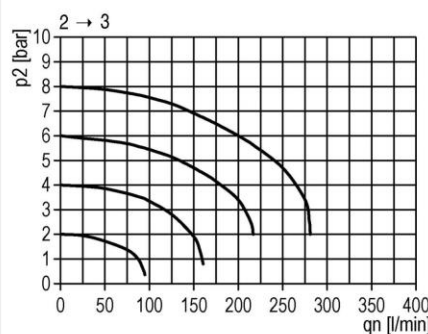
Max. input pressure:	16 bar
Medium temperature:	-10 to 60 °C
Ambient temperature:	-10 to 60 °C
Operation:	Twist knob, rotatable 90°
Sealant:	NBR
Flow rate measurement:	At $P_1 = 6$ bar and pressure drop $\Delta p = 1$ bar

Ball valve, 3/2-way

Art. No.	Type No.	Thread	Vent port	Housing	Flow rate l/min	Size
133133	K 44	G 3/4	Silencer G 1/2	Die-cast aluminium	30000	4

Accessories / spare parts

Art. No.	Type No.	Description
135858	ZW 45	Mounting bracket with 2 screws
135857	KP 45	Coupler pack for modular assembly of several devices


flow characteristic

rear exhaust

symbol
